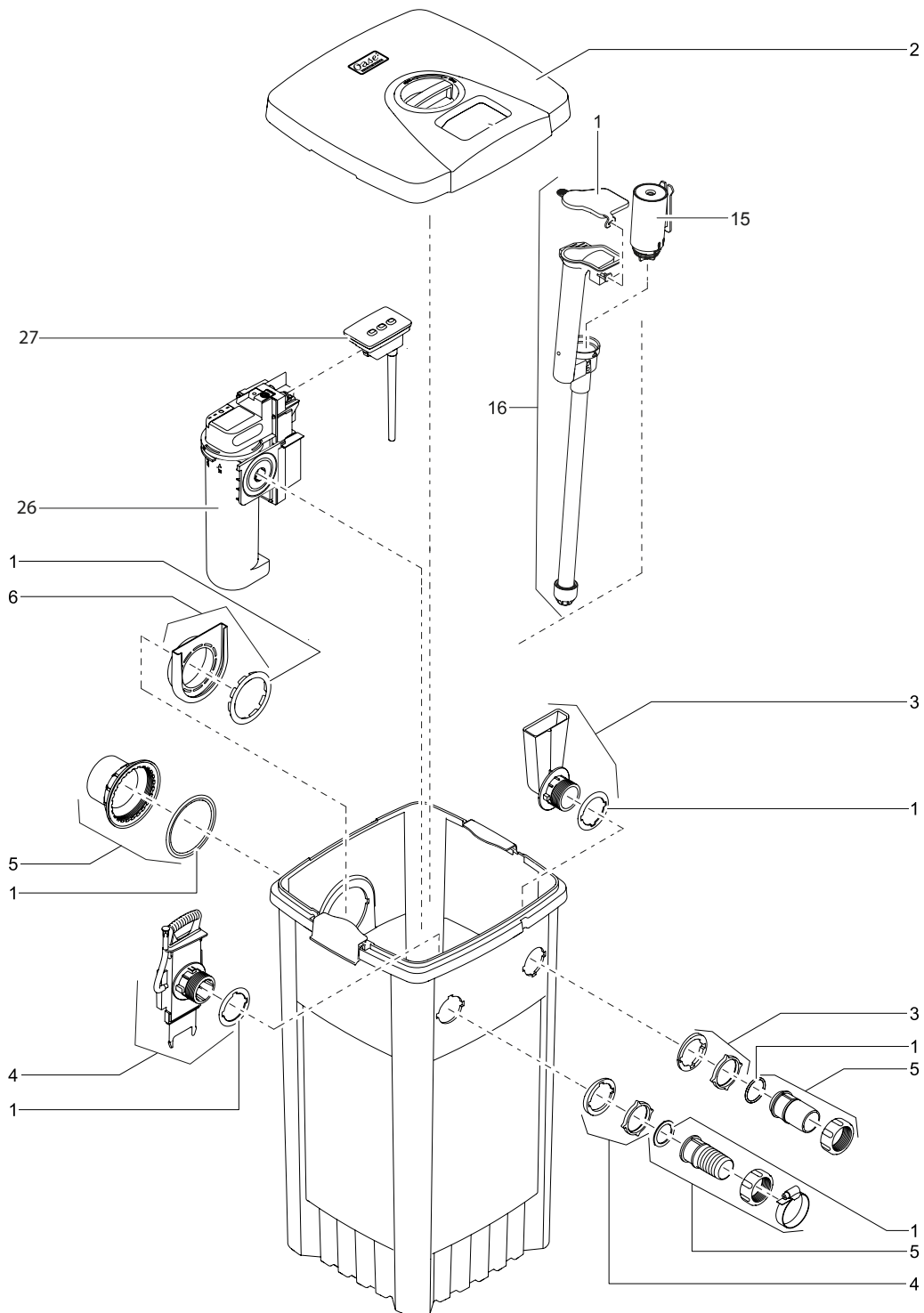
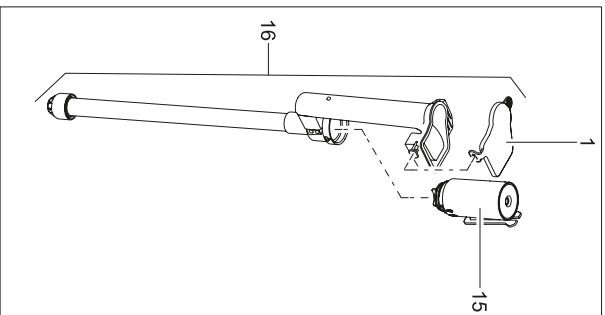
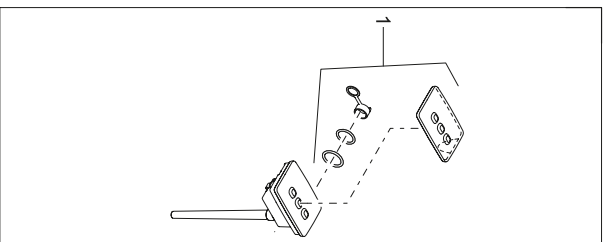
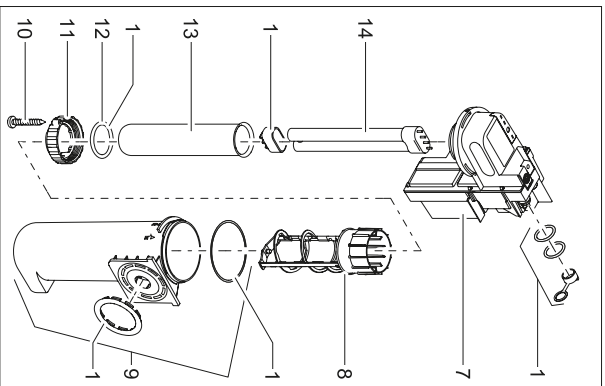


Artikelnr. Item no.	Produkt Product
50228	FiltoMatic CWS 3000
50229	FiltoMatic CWS 6000
50906	FiltoMatic CWS 7000
50230	FiltoMatic CWS 12000
50910	FiltoMatic CWS 14000
50925	FiltoMatic CWS 25000
50909	GB FiltoMatic CWS 7000
50922	GB FiltoMatic CWS 14000
50926	GB FiltoMatic CWS 25000

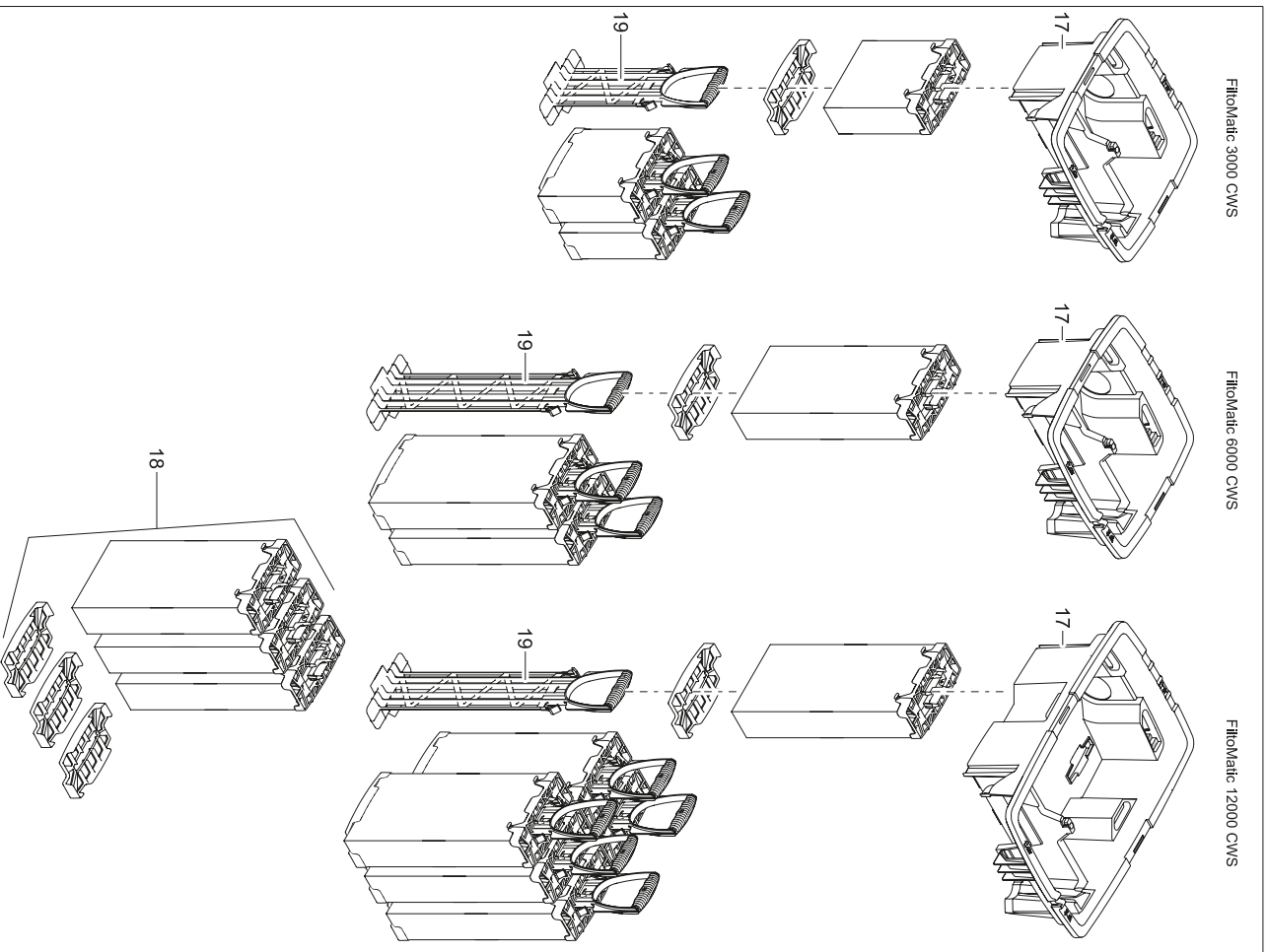




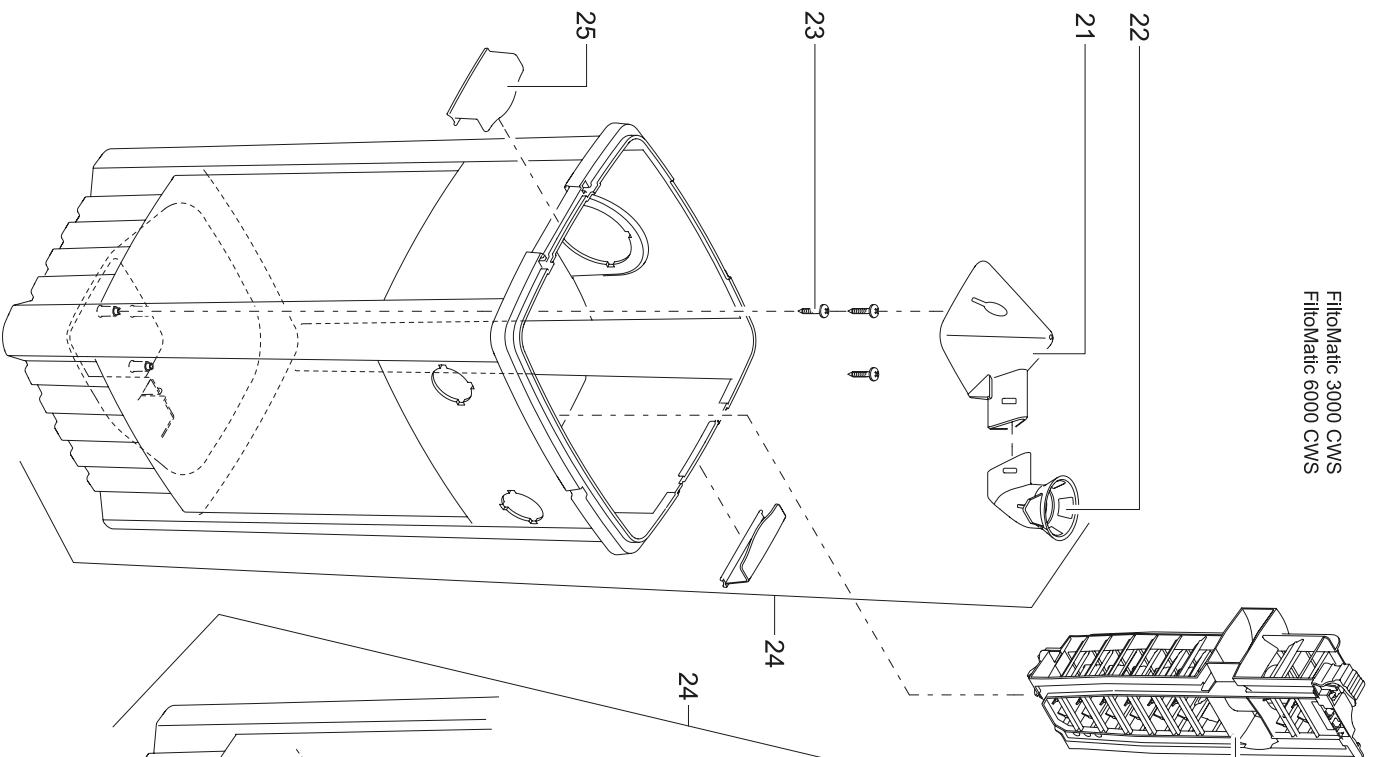
FiltoMatic 3000 CWS

FiltoMatic 6000 CWS

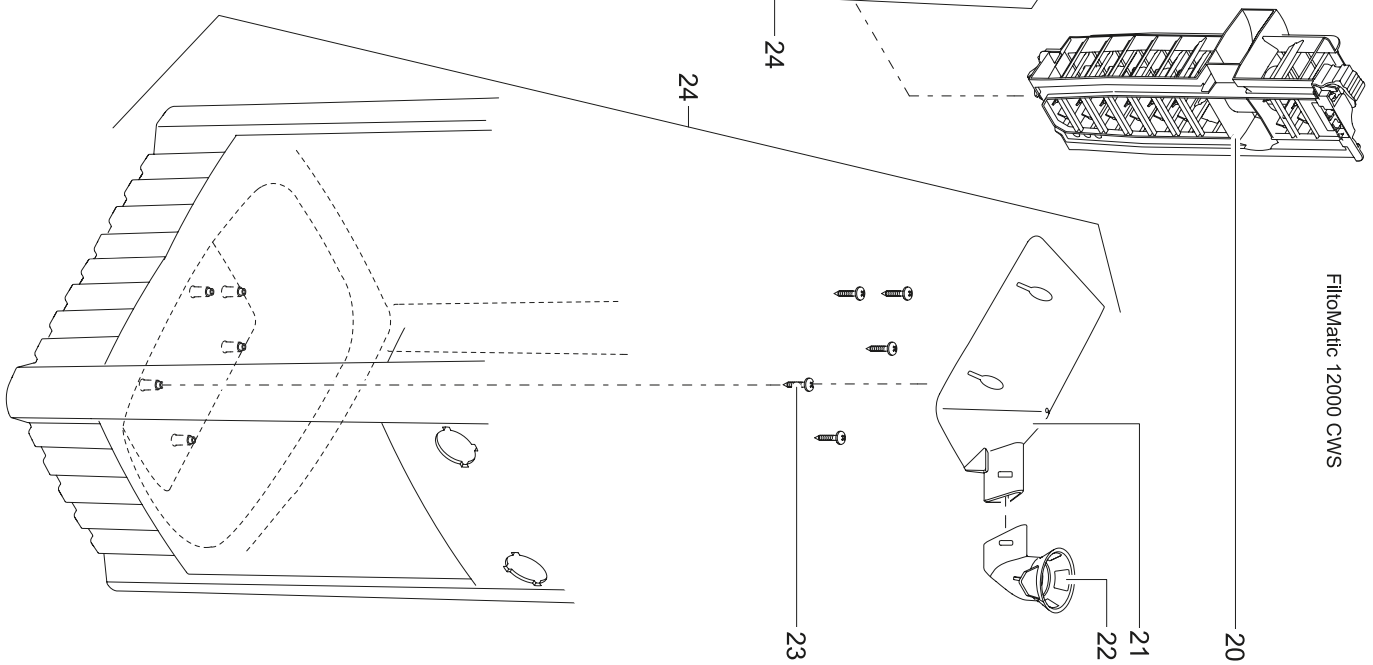
FiltoMatic 12000 CWS



FiltoMatic 3000 CWS
FiltoMatic 6000 CWS



FiltoMatic 12000 CWS



Artikelnr. Produkt Item no. Product	Pos. Pos.	Artikelnr. Ersatzteil Item no. Spare part	VE PU	Ersatzteil	Spare part
50228	1	12572	1	BG Dichtungsset FiltoMatic	ASM gasket set FiltoMatic
	2	12447	1	BG Deckel FiltoMatic CWS 3000 / 6000	ASM lid FiltoMatic CWS 3000 / 6000
	3	12082	1	BG Schmutzauslauf FiltoMatic	ASM dirt outlet FiltoMatic
	4	11367	1	BG Schieber Einlauf FiltoMatic	ASM gate inlet FiltoMatic
	5	11384	1	Beipack FiltoMatic	Additional pack FiltoMatic
	6	11364	1	BG Auslaufmutter	ASM outlet nut
	7	11374	1	Ersatz UVC 11 Elektroeinheit FiltoMatic	Spare UVC 11 electronic FiltoMatic
	8	12703	1	BG Reinigungsrotor FiltoMatic UVC 11	ASM cleaning rotor FiltoMatic UVC 11
	9	12698	1	BG Wassergehäuse FiltoMatic 3000 / 6000	ASM waterhousing FiltoMatic 3000 / 6000
	10	27891	1	Linsenschraube CH-V2A DIN 7981 3,5 x 22	Oval head screw CH-V2A DIN 7981 3.5 x 22
	11	12049	1	Klemmschraube UVC 7/9/11W	Clamp screw UVC 7/9/11W
	12	19475	1	O-Ring Viton 32 x 4 SH70	O-Ring Viton 32 x 4 SH70
	13	13312	1	Quarzglas D33 x 200 mit Bördelrand	Quartz glass D33 x 200 with rim
	14	56112	1	Ersatzlampe UVC 11 W	Replacement bulb UVC 11 W
	15	14148	1	BG Schmutzpumpe 84°	ASM slush pump 84°
	16	12319	1	BG Schmutzrohr geklebt FiltoMatic 3000	ASM dirt tube glued FiltoMatic 3000
	17	10857	1	Innendeckel FiltoMatic 3000 / 6000	Inner cover FiltoMatic 3000 / 6000
	18	50901	1	Filterpatronenset FiltoMatic CWS 7000	Filtercartridge Set FiltoMatic CWS 7000
	19	11050	3	Schaumhalter FiltoMatic 3000	Foam holder FiltoMatic 3000
	20	11425	1	BG Lamelle 3000	ASM Lamella 3000
	21	12756	1	Pyramidenoberteil 3000/6000 neu	pyramide upper part 3000/6000 neu
	22	12114	1	Pyramidenanschluss	Pyramide connection
	23	25000	3	Linsenschraube CH-V2A DIN 7981 4,8 x 22	Oval head screw CH-V2A DIN 7981 4.8 x 22
	24	12003	1	BG Behälter FiltoMatic 3000	ASM filter box FiltoMatic 3000
	25	11041	2	Rasthaken Innendeckel FiltoMatic	Holder inner cover FiltoMatic
	26	11383	1	BG FiltoMatic UVC 11	ASM FiltoMatic UVC 11
	27	14150	1	BG Steuerung FiltoMatic 2E	ASM controller FiltoMatic 2E
50229	1	12572	1	BG Dichtungsset FiltoMatic	ASM gasket set FiltoMatic
	2	12447	1	BG Deckel FiltoMatic CWS 3000 / 6000	ASM lid FiltoMatic CWS 3000 / 6000
	3	12082	1	BG Schmutzauslauf FiltoMatic	ASM dirt outlet FiltoMatic
	4	11367	1	BG Schieber Einlauf FiltoMatic	ASM gate inlet FiltoMatic
	5	11384	1	Beipack FiltoMatic	Additional pack FiltoMatic
	6	11364	1	BG Auslaufmutter	ASM outlet nut
	7	11459	1	Ersatz UVC 18 Elektroeinheit FiltoMatic	Spare UVC 18 electronic FiltoMatic
	8	12704	1	BG Reinigungsrotor FiltoMatic UVC 18	ASM cleaning rotor FiltoMatic UVC 18
	9	12698	1	BG Wassergehäuse FiltoMatic 3000 / 6000	ASM waterhousing FiltoMatic 3000 / 6000
	10	27891	1	Linsenschraube CH-V2A DIN 7981 3,5 x 22	Oval head screw CH-V2A DIN 7981 3.5 x 22
	11	12054	1	Klemmschraube FiltoMatic 18 / 24 W	Clamp screw FiltoMatic 18 / 24
	12	26143	1	O-Ring Viton 42 x 5 SH50	O-Ring Viton 42 x 5 SH50
	13	13329	1	Quarzglas D44 x 203 mit Bördelrand	Quartz glass D44 x 203 with rim
	14	56236	1	Ersatzlampe UVC 18 W	Replacement bulb UVC 18 W
	15	14148	1	BG Schmutzpumpe 84°	ASM slush pump 84°
	16	12321	1	BG Schmutzrohr geklebt FiltoMatic6/12000	ASM dirt tube glued FiltoMatic 6/12000
	17	10857	1	Innendeckel FiltoMatic 3000 / 6000	Inner cover FiltoMatic 3000 / 6000
	18	50904	1	Filterpatronenset FiltoMa.CWS14000/25000	Filtercartridge set FiltoMa CWS 14/25000
	19	11052	3	Schaumhalter FiltoMatic 6000/12000	Foam holder FiltoMatic 6000/12000
	20	17684	1	BG Lamelle 14000 / 25000	ASM lamella 14000 / 25000
	21	12756	1	Pyramidenoberteil 3000/6000 neu	pyramide upper part 3000/6000 neu
	22	12114	1	Pyramidenanschluss	Pyramide connection
	23	25000	3	Linsenschraube CH-V2A DIN 7981 4,8 x 22	Oval head screw CH-V2A DIN 7981 4.8 x 22
	24	12051	1	BG Behälter FiltoMatic 6000	ASM filter box FiltoMatic 6000
	25	11041	2	Rasthaken Innendeckel FiltoMatic	Holder inner cover FiltoMatic
	26	11390	1	BG FiltoMatic UVC 18	ASM FiltoMatic UVC 18
	27	14150	1	BG Steuerung FiltoMatic 2E	ASM controller FiltoMatic 2E

Artikelnr. Produkt Item no. Product	Pos. Pos.	Artikelnr. Ersatzteil Item no. Spare part	VE PU	Ersatzteil	Spare part
50906	1	12572	1	BG Dichtungsset FiltoMatic	ASM gasket set FiltoMatic
	2	12447	1	BG Deckel FiltoMatic CWS 3000 / 6000	ASM lid FiltoMatic CWS 3000 / 6000
	3	12082	1	BG Schmutzauslauf FiltoMatic	ASM dirt outlet FiltoMatic
	4	11367	1	BG Schieber Einlauf FiltoMatic	ASM gate inlet FiltoMatic
	5	11384	1	Beipack FiltoMatic	Additional pack FiltoMatic
	6	11364	1	BG Auslaufmutter	ASM outlet nut
	7	11374	1	Ersatz UVC 11 Elektroeinheit FiltoMatic	Spare UVC 11 electronic FiltoMatic
	8	12703	1	BG Reinigungsrotor FiltoMatic UVC 11	ASM cleaning rotor FiltoMatic UVC 11
	9	12698	1	BG Wassergehäuse FiltoMatic 3000 / 6000	ASM waterhousing FiltoMatic 3000 / 6000
	10	27891	1	Linsenschraube CH-V2A DIN 7981 3,5 x 22	Oval head screw CH-V2A DIN 7981 3.5 x 22
	11	12049	1	Klemmschraube UVC 7/9/11W	Clamp screw UVC 7/9/11W
	12	19475	1	O-Ring Viton 32 x 4 SH70	O-Ring Viton 32 x 4 SH70
	13	13312	1	Quarzglas D33 x 200 mit Bördelrand	Quartz glass D33 x 200 with rim
	14	56112	1	Ersatzlampe UVC 11 W	Replacement bulb UVC 11 W
	15	14148	1	BG Schmutzpumpe 84°	ASM slush pump 84°
	16	12319	1	BG Schmutzrohr geklebt FiltoMatic 3000	ASM dirt tube glued FiltoMatic 3000
	17	10857	1	Innendeckel FiltoMatic 3000 / 6000	Inner cover FiltoMatic 3000 / 6000
	18	50901	1	Filterpatronenset FiltoMatic CWS 7000	Filtercartridge Set FiltoMatic CWS 7000
	19	11050	3	Schaumhalter FiltoMatic 3000	Foam holder FiltoMatic 3000
	20	11425	1	BG Lamelle 3000	ASM Lamella 3000
	21	12756	1	Pyramidenoberteil 3000/6000 neu	pyramide upper part 3000/6000 neu
	22	12114	1	Pyramidenanschluss	Pyramide connection
	23	25000	3	Linsenschraube CH-V2A DIN 7981 4,8 x 22	Oval head screw CH-V2A DIN 7981 4.8 x 22
	24	12003	1	BG Behälter FiltoMatic 3000	ASM filter box FiltoMatic 3000
	25	11041	2	Rasthaken Innendeckel FiltoMatic	Holder inner cover FiltoMatic
	26	11383	1	BG FiltoMatic UVC 11	ASM FiltoMatic UVC 11
	27	14150	1	BG Steuerung FiltoMatic 2E	ASM controller FiltoMatic 2E
50230	1	12572	1	BG Dichtungsset FiltoMatic	ASM gasket set FiltoMatic
	2	12481	1	BG Deckel FiltoMatic CWS 12000	ASM lid FiltoMatic CWS 12000
	3	12082	1	BG Schmutzauslauf FiltoMatic	ASM dirt outlet FiltoMatic
	4	11367	1	BG Schieber Einlauf FiltoMatic	ASM gate inlet FiltoMatic
	5	11384	1	Beipack FiltoMatic	Additional pack FiltoMatic
	6	11364	1	BG Auslaufmutter	ASM outlet nut
	7	11460	1	Ersatz UVC 24 Elektroeinheit FiltoMatic	Spare UVC 24 electronic FiltoMatic
	8	12705	1	BG Reinigungsrotor FiltoMatic UVC 24	ASM cleaning rotor FiltoMatic UVC 24
	9	12700	1	BG Wassergehäuse FiltoMatic 12000	ASM waterhousing FiltoMatic 12000
	10	27891	1	Linsenschraube CH-V2A DIN 7981 3,5 x 22	Oval head screw CH-V2A DIN 7981 3.5 x 22
	11	12054	1	Klemmschraube FiltoMatic 18 / 24 W	Clamp screw FiltoMatic 18 / 24
	12	26143	1	O-Ring Viton 42 x 5 SH50	O-Ring Viton 42 x 5 SH50
	13	13332	1	Quarzglas D44 x 298 mit Bördelrand	Quartz glass D44 x 298 with rim
	14	56237	1	Ersatzlampe UVC 24 W	Replacement bulb UVC 24 W
	15	14148	1	BG Schmutzpumpe 84°	ASM slush pump 84°
	16	12321	1	BG Schmutzrohr geklebt FiltoMatic6/12000	ASM dirt tube glued FiltoMatic 6/12000
	17	10860	1	Innendeckel FiltoMatic 12000	Inner cover FiltoMatic 12000
	18	50904	2	Filterpatronenset FiltoMa.CWS14000/25000	Filtercartridge set FiltoMa CWS 14/25000
	19	11052	6	Schaumhalter FiltoMatic 6000/12000	Foam holder FiltoMatic 6000/12000
	20	12029	1	BG Lamelle 12000	ASM Lamella 12000
	21	12757	1	Pyramidenoberteil 12000 neu	pyramide upper part 12000 neu
	22	12114	1	Pyramidenanschluss	Pyramide connection
	23	25000	5	Linsenschraube CH-V2A DIN 7981 4,8 x 22	Oval head screw CH-V2A DIN 7981 4.8 x 22
	24	12401	1	BG Behälter FiltoMatic 12000	ASM filter box FiltoMatic 12000
	25	11041	2	Rasthaken Innendeckel FiltoMatic	Holder inner cover FiltoMatic
	26	11391	1	BG FiltoMatic UVC 24	ASM FiltoMatic UVC 24
	27	14150	1	BG Steuerung FiltoMatic 2E	ASM controller FiltoMatic 2E

Artikelnr. Produkt Item no. Product	Pos. Pos.	Artikelnr. Ersatzteil Item no. Spare part	VE PU	Ersatzteil	Spare part
50910	1	12572	1	BG Dichtungsset FiltoMatic	ASM gasket set FiltoMatic
	2	12447	1	BG Deckel FiltoMatic CWS 3000 / 6000	ASM lid FiltoMatic CWS 3000 / 6000
	3	12082	1	BG Schmutzauslauf FiltoMatic	ASM dirt outlet FiltoMatic
	4	11367	1	BG Schieber Einlauf FiltoMatic	ASM gate inlet FiltoMatic
	5	11384	1	Beipack FiltoMatic	Additional pack FiltoMatic
	6	11364	1	BG Auslaufmutter	ASM outlet nut
	7	11460	1	Ersatz UVC 24 Elektroeinheit FiltoMatic	Spare UVC 24 electronic FiltoMatic
	8	12705	1	BG Reinigungsrotor FiltoMatic UVC 24	ASM cleaning rotor FiltoMatic UVC 24
	9	12700	1	BG Wassergehäuse FiltoMatic 12000	ASM waterhousing FiltoMatic 12000
	10	27891	1	Linsenschraube CH-V2A DIN 7981 3,5 x 22	Oval head screw CH-V2A DIN 7981 3.5 x 22
	11	12054	1	Klemmschraube FiltoMatic 18 / 24 W	Clamp screw FiltoMatic 18 / 24
	12	26143	1	O-Ring Viton 42 x 5 SH50	O-Ring Viton 42 x 5 SH50
	13	13332	1	Quarzglas D44 x 298 mit Bördelrand	Quartz glass D44 x 298 with rim
	14	56237	1	Ersatzlampe UVC 24 W	Replacement bulb UVC 24 W
	15	14148	1	BG Schmutzpumpe 84°	ASM slush pump 84°
	16	12321	1	BG Schmutzrohr geklebt FiltoMatic6/12000	ASM dirt tube glued FiltoMatic 6/12000
	17	10857	1	Innendeckel FiltoMatic 3000 / 6000	Inner cover FiltoMatic 3000 / 6000
	18	50904	1	Filterpatronenset FiltoMa.CWS14000/25000	Filtercartridge set FiltoMa CWS 14/25000
	19	11052	3	Schaumhalter FiltoMatic 6000/12000	Foam holder FiltoMatic 6000/12000
	20	17684	1	BG Lamelle 14000 / 25000	ASM lamella 14000 / 25000
	21	12756	1	Pyramidenoberteil 3000/6000 neu	pyramide upper part 3000/6000 neu
	22	12114	1	Pyramidenanschluss	Pyramide connection
	23	25000	3	Linsenschraube CH-V2A DIN 7981 4,8 x 22	Oval head screw CH-V2A DIN 7981 4.8 x 22
	24	12051	1	BG Behälter FiltoMatic 6000	ASM filter box FiltoMatic 6000
	25	11041	2	Rasthaken Innendeckel FiltoMatic	Holder inner cover FiltoMatic
	26	11391	1	BG FiltoMatic UVC 24	ASM FiltoMatic UVC 24
	27	14150	1	BG Steuerung FiltoMatic 2E	ASM controller FiltoMatic 2E
50925	1	12572	1	BG Dichtungsset FiltoMatic	ASM gasket set FiltoMatic
	2	12481	1	BG Deckel FiltoMatic CWS 12000	ASM lid FiltoMatic CWS 12000
	3	12082	1	BG Schmutzauslauf FiltoMatic	ASM dirt outlet FiltoMatic
	4	11367	1	BG Schieber Einlauf FiltoMatic	ASM gate inlet FiltoMatic
	5	11384	1	Beipack FiltoMatic	Additional pack FiltoMatic
	6	11364	1	BG Auslaufmutter	ASM outlet nut
	7	18231	1	Ersatz UVC 24 Reflektor FiltoMatic	Spare UVC 24 reflector FiltoMatic
	8	12705	1	BG Reinigungsrotor FiltoMatic UVC 24	ASM cleaning rotor FiltoMatic UVC 24
	9	17908	1	Ersatzteil Wassergehäuse FiltoMatic25000	Spare part waterhousing FiltoMatic 25000
	10	27891	1	Linsenschraube CH-V2A DIN 7981 3,5 x 22	Oval head screw CH-V2A DIN 7981 3.5 x 22
	11	12054	1	Klemmschraube FiltoMatic 18 / 24 W	Clamp screw FiltoMatic 18 / 24
	12	26143	1	O-Ring Viton 42 x 5 SH50	O-Ring Viton 42 x 5 SH50
	13	13332	1	Quarzglas D44 x 298 mit Bördelrand	Quartz glass D44 x 298 with rim
	14	56237	1	Ersatzlampe UVC 24 W	Replacement bulb UVC 24 W
	15	14148	1	BG Schmutzpumpe 84°	ASM slush pump 84°
	16	12321	1	BG Schmutzrohr geklebt FiltoMatic6/12000	ASM dirt tube glued FiltoMatic 6/12000
	17	10860	1	Innendeckel FiltoMatic 12000	Inner cover FiltoMatic 12000
	18	50904	2	Filterpatronenset FiltoMa.CWS14000/25000	Filtercartridge set FiltoMa CWS 14/25000
	19	11052	6	Schaumhalter FiltoMatic 6000/12000	Foam holder FiltoMatic 6000/12000
	20	17684	1	BG Lamelle 14000 / 25000	ASM lamella 14000 / 25000
	21	12757	1	Pyramidenoberteil 12000 neu	pyramide upper part 12000 neu
	22	12114	1	Pyramidenanschluss	Pyramide connection
	23	25000	5	Linsenschraube CH-V2A DIN 7981 4,8 x 22	Oval head screw CH-V2A DIN 7981 4.8 x 22
	24	12401	1	BG Behälter FiltoMatic 12000	ASM filter box FiltoMatic 12000
	25	11041	2	Rasthaken Innendeckel FiltoMatic	Holder inner cover FiltoMatic
	26	17685	1	BG FiltoMatic UVC 24 mit Reflektor	ASM FiltoMatic UVC 24 with reflector
	27	14150	1	BG Steuerung FiltoMatic 2E	ASM controller FiltoMatic 2E

Artikelnr. Produkt Item no. Product	Pos. Pos.	Artikelnr. Ersatzteil Item no. Spare part	VE PU	Ersatzteil	Spare part
50909	1	12572	1	BG Dichtungsset FiltoMatic	ASM gasket set FiltoMatic
	2	12447	1	BG Deckel FiltoMatic CWS 3000 / 6000	ASM lid FiltoMatic CWS 3000 / 6000
	3	12082	1	BG Schmutzauslauf FiltoMatic	ASM dirt outlet FiltoMatic
	4	11367	1	BG Schieber Einlauf FiltoMatic	ASM gate inlet FiltoMatic
	5	11384	1	Beipack FiltoMatic	Additional pack FiltoMatic
	6	11364	1	BG Auslaufmutter	ASM outlet nut
	7	11374	1	Ersatz UVC 11 Elektroeinheit FiltoMatic	Spare UVC 11 electronic FiltoMatic
	8	12703	1	BG Reinigungsrotor FiltoMatic UVC 11	ASM cleaning rotor FiltoMatic UVC 11
	9	12698	1	BG Wassergehäuse FiltoMatic 3000 / 6000	ASM waterhousing FiltoMatic 3000 / 6000
	10	27891	1	Linsenschraube CH-V2A DIN 7981 3,5 x 22	Oval head screw CH-V2A DIN 7981 3.5 x 22
	11	12049	1	Klemmschraube UVC 7/9/11W	Clamp screw UVC 7/9/11W
	12	19475	1	O-Ring Viton 32 x 4 SH70	O-Ring Viton 32 x 4 SH70
	13	13312	1	Quarzglas D33 x 200 mit Bördelrand	Quartz glass D33 x 200 with rim
	14	56112	1	Ersatzlampe UVC 11 W	Replacement bulb UVC 11 W
	15	14148	1	BG Schmutzpumpe 84°	ASM slush pump 84°
	16	12319	1	BG Schmutzrohr geklebt FiltoMatic 3000	ASM dirt tube glued FiltoMatic 3000
	17	10857	1	Innendeckel FiltoMatic 3000 / 6000	Inner cover FiltoMatic 3000 / 6000
	18	50901	1	Filterpatronenset FiltoMatic CWS 7000	Filtercartridge Set FiltoMatic CWS 7000
	19	11050	3	Schaumhalter FiltoMatic 3000	Foam holder FiltoMatic 3000
	20	11425	1	BG Lamelle 3000	ASM Lamella 3000
	21	12756	1	Pyramidenoberteil 3000/6000 neu	pyramide upper part 3000/6000 neu
	22	12114	1	Pyramidenanschluss	Pyramide connection
	23	25000	3	Linsenschraube CH-V2A DIN 7981 4,8 x 22	Oval head screw CH-V2A DIN 7981 4.8 x 22
	24	12003	1	BG Behälter FiltoMatic 3000	ASM filter box FiltoMatic 3000
	25	11041	1	Rasthaken Innendeckel FiltoMatic	Holder inner cover FiltoMatic
	26	11383	1	BG FiltoMatic UVC 11	ASM FiltoMatic UVC 11
	27	14150	1	BG Steuerung FiltoMatic 2E	ASM controller FiltoMatic 2E
50922	1	12572	1	BG Dichtungsset FiltoMatic	ASM gasket set FiltoMatic
	2	12447	1	BG Deckel FiltoMatic CWS 3000 / 6000	ASM lid FiltoMatic CWS 3000 / 6000
	3	12082	1	BG Schmutzauslauf FiltoMatic	ASM dirt outlet FiltoMatic
	4	11367	1	BG Schieber Einlauf FiltoMatic	ASM gate inlet FiltoMatic
	5	11384	1	Beipack FiltoMatic	Additional pack FiltoMatic
	6	11364	1	BG Auslaufmutter	ASM outlet nut
	7	11460	1	Ersatz UVC 24 Elektroeinheit FiltoMatic	Spare UVC 24 electronic FiltoMatic
	8	12705	1	BG Reinigungsrotor FiltoMatic UVC 24	ASM cleaning rotor FiltoMatic UVC 24
	9	12700	1	BG Wassergehäuse FiltoMatic 12000	ASM waterhousing FiltoMatic 12000
	10	27891	1	Linsenschraube CH-V2A DIN 7981 3,5 x 22	Oval head screw CH-V2A DIN 7981 3.5 x 22
	11	12054	1	Klemmschraube FiltoMatic 18 / 24 W	Clamp screw FiltoMatic 18 / 24
	12	26143	1	O-Ring Viton 42 x 5 SH50	O-Ring Viton 42 x 5 SH50
	13	13332	1	Quarzglas D44 x 298 mit Bördelrand	Quartz glass D44 x 298 with rim
	14	56237	1	Ersatzlampe UVC 24 W	Replacement bulb UVC 24 W
	15	14148	1	BG Schmutzpumpe 84°	ASM slush pump 84°
	16	12321	1	BG Schmutzrohr geklebt FiltoMatic6/12000	ASM dirt tube glued FiltoMatic 6/12000
	17	10857	1	Innendeckel FiltoMatic 3000 / 6000	Inner cover FiltoMatic 3000 / 6000
	18	50904	1	Filterpatronenset FiltoMa.CWS14000/25000	Filtercartridge set FiltoMa CWS 14/25000
	19	11052	3	Schaumhalter FiltoMatic 6000/12000	Foam holder FiltoMatic 6000/12000
	20	17684	1	BG Lamelle 14000 / 25000	ASM lamella 14000 / 25000
	21	12756	1	Pyramidenoberteil 3000/6000 neu	pyramide upper part 3000/6000 neu
	22	12114	1	Pyramidenanschluss	Pyramide connection
	23	25000	3	Linsenschraube CH-V2A DIN 7981 4,8 x 22	Oval head screw CH-V2A DIN 7981 4.8 x 22
	24	12051	1	BG Behälter FiltoMatic 6000	ASM filter box FiltoMatic 6000
	25	11041	2	Rasthaken Innendeckel FiltoMatic	Holder inner cover FiltoMatic
	26	11391	1	BG FiltoMatic UVC 24	ASM FiltoMatic UVC 24
	27	14150	1	BG Steuerung FiltoMatic 2E	ASM controller FiltoMatic 2E

Artikelnr. Produkt Item no. Product	Pos. Pos.	Artikelnr. Ersatzteil Item no. Spare part	VE PU	Ersatzteil	Spare part
50926	1	12572	1	BG Dichtungsset FiltoMatic	ASM gasket set FiltoMatic
	2	12481	1	BG Deckel FiltoMatic CWS 12000	ASM lid FiltoMatic CWS 12000
	3	12082	1	BG Schmutzaustritt FiltoMatic	ASM dirt outlet FiltoMatic
	4	11367	1	BG Schieber Einlauf FiltoMatic	ASM gate inlet FiltoMatic
	5	11384	1	Beipack FiltoMatic	Additional pack FiltoMatic
	6	11364	1	BG Auslaufmutter	ASM outlet nut
	7	18231	1	Ersatz UVC 24 Reflektor FiltoMatic	Spare UVC 24 reflector FiltoMatic
	8	12705	1	BG Reinigungsrotor FiltoMatic UVC 24	ASM cleaning rotor FiltoMatic UVC 24
	9	17908	1	Ersatzteil Wassergehäuse FiltoMatic25000	Spare part waterhousing FiltoMatic 25000
	10	27891	1	Linsenschraube CH-V2A DIN 7981 3,5 x 22	Oval head screw CH-V2A DIN 7981 3.5 x 22
	11	12054	1	Klemmschraube FiltoMatic 18 / 24 W	Clamp screw FiltoMatic 18 / 24
	12	26143	1	O-Ring Viton 42 x 5 SH50	O-Ring Viton 42 x 5 SH50
	13	13332	1	Quarzglas D44 x 298 mit Bördelrand	Quartz glass D44 x 298 with rim
	14	56237	1	Ersatzlampe UVC 24 W	Replacement bulb UVC 24 W
	15	14148	1	BG Schmutzpumpe 84°	ASM slush pump 84°
	16	12321	1	BG Schmutzrohr geklebt FiltoMatic6/12000	ASM dirt tube glued FiltoMatic 6/12000
	17	10860	1	Innendeckel FiltoMatic 12000	Inner cover FiltoMatic 12000
	18	50904	2	Filterpatronenset FiltoMa.CWS14000/25000	Filtercartridge set FiltoMa CWS 14/25000
	19	11052	6	Schaumhalter FiltoMatic 6000/12000	Foam holder FiltoMatic 6000/12000
	20	17684	1	BG Lamelle 14000 / 25000	ASM lamella 14000 / 25000
	21	12757	1	Pyramidenoberteil 12000 neu	pyramide upper part 12000 neu
	22	12114	1	Pyramidenanschluss	Pyramide connection
	23	25000	5	Linsenschraube CH-V2A DIN 7981 4,8 x 22	Oval head screw CH-V2A DIN 7981 4.8 x 22
	24	12401	1	BG Behälter FiltoMatic 12000	ASM filter box FiltoMatic 12000
	25	11041	2	Rasthaken Innendeckel FiltoMatic	Holder inner cover FiltoMatic
	26	17685	1	BG FiltoMatic UVC 24 mit Reflektor	ASM FiltoMatic UVC 24 with reflector
	27	14150	1	BG Steuerung FiltoMatic 2E	ASM controller FiltoMatic 2E