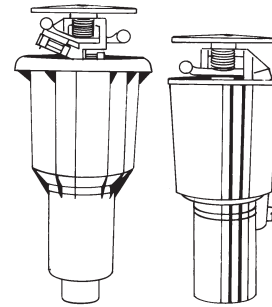
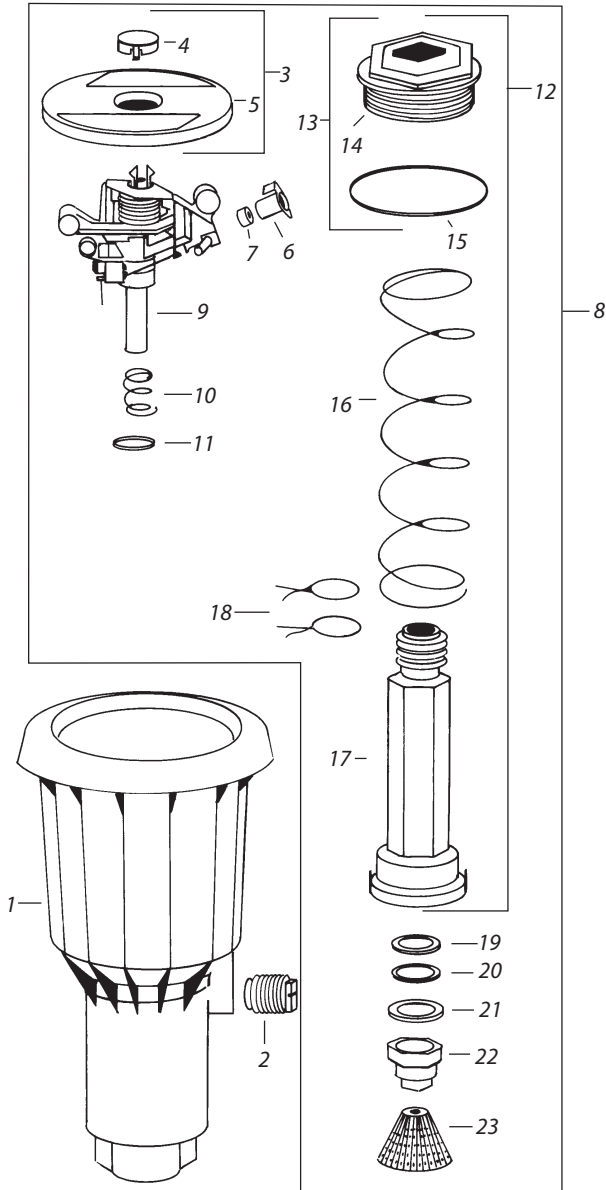


15103 MINI-PAW 2045A MAXI-PAW



MAXI-PAW MINI-PAW

Ref. Part Description	Mini-Paw 15103	Maxi-Paw 2045A	Maxi-Paw-SAM 2045A-SAM
CASES			
1 Case Assembly	205175		
2 Plug	107355	107355	107355
COVER ASSEMBLIES			
3 Cover Kit	206973	208001	208001
4 Dust Cap (A)	(A)		
5 Cover, Snap On (A)	(A)		
NOZZLES (Specify nozzle size when ordering)			
6 Low Angle Nozzle (C)	-	115902-xx	115902-xx
6 Standard Nozzle (D)	-	206592-xx	206592-xx
7 Vane			
8 INTERNAL ASSEMBLY (E)	206678	206644-08	206637-08
9 Head Assembly (A)		206638-08	206638-08
- Diffuser Screw	203933	203933	203933
- Trip Spring	207740	207740	207740
- Bearing Hood (B)	(B)		
10 Upthrust Spring (B)	(B)		
11 Bearing Washer (Blue) (B)	(B)		
12 Pop-Up Sleeve Assembly	202415	202415	204400
13 Guide Nut Assembly	204555	204555	204555
14 Guide Nut			
15 O-Ring Seal			
16 Retract Spring			
17 Guide Sleeve	203171	203171	203171
18 Friction Collars (2)	203148	203148	203148
19 Buna N Washer (Black) (B)	(B)		
20 Wearing Washer (White) (B)	(B)		
21 Brg Backup Washer (Gray) (B)	(B)		
22 Nut, Maxi-Bird (B)	(B)		
23 Inlet Screen (Standard)	202076	202076	-
- SAM Screen/Seal Assembly	-	-	205396

- (A) Included in Body Cover Assembly # 206974. (Specify nozzle size -07 or -09)
 (B) Included in Bearing Washer Kit # 202190 (Maxi-Bird) # 202188 (Maxi-Paw).
 (C) Nozzle sizes available: -07, -10
 (D) Nozzle sizes available: -06 Red, -07 Black, -08 Blue, -10 Yellow, -12 Beige
 (E) Nozzle sizes available: -07, -09